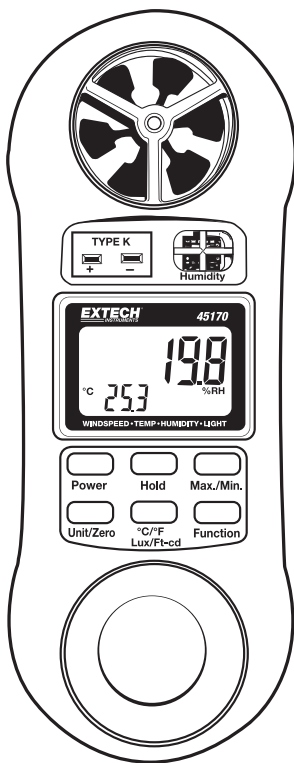


EXTECH[®]

INSTRUMENTS

A FLIR COMPANY

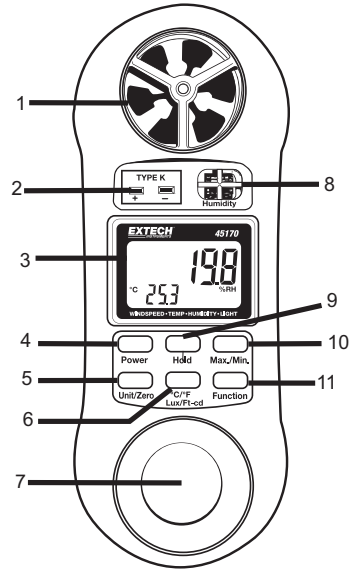


Introduction

Congratulations on your purchase of Extech's Model 45170 4-in-1 Humidity, Temperature, Airflow and Light Meter. With careful use, this meter will provide years of reliable service.

Meter Description

1. Vane Airflow Sensor
2. Type K Thermocouple Input Jack
3. Display
4. Power Button
5. Unit /Zero Button
6. C°/F° /Lux/Ft-cd Button
7. Light Sensor
8. RH and Air Temperature Sensors
9. Hold Button
10. Max/Min Button
11. Function Button



Operation

Press the power button to turn power on. The meter will perform a short self-test.

1. Press the button to select the Anemometer mode. In Air Flow mode, the display will show Air Velocity and Temperature.
 2. Press button to select desired unit of measure (FPM, MPH, KNOT, KM/H, or M/S) and face the Air Flow Sensor towards the source of wind.
 3. Allow time for the reading to stabilize and note value. From a practical point of view the velocity may fluctuate slightly.
-
1. Press the button to select RH mode.. In RH mode, the display will show %RH and Temperature.
 2. Press the ° button to select the desired temperature unit of measure.
-
1. Press the button to select the Temperature mode. In Temperature mode, the display will show only temperature.
 2. Plug the thermocouple into the meter's thermocouple input jack. If no thermocouple is connected, or if the thermocouple is defective, the meter will display "-----". (Primary display temperature will only work if a thermocouple is connected).
-
1. Press the button to select the Light Meter mode . The light values are displayed and orientated 180° from the other functions for easy use.
 2. Press the to select Lux or Footcandle units of measure.
 3. Before making measurements "Zero" the meter out by blocking the light sensor to simulate a no light condition and pressing the button.The reading should go to Zero.
 4. Hold the sensor toward the light source and note reading.
-
1. Press the button once. The RECORD symbol will appear on the display.This starts the Min/Max Data Recording Mode
 2. Press the again and the symbol along with the maximum value will appear on the display.
 3. Press the once more and the symbol along with the minimum value will appear on the display.
 4. To the recorded Max/Min values press the button once. Press and Hold the button for 3 seconds to exit Min/Max Data Record Mode and return to normal measurement mode. Record and Max/Min will disappear from the display once this is done.

Press the _____ button to freeze the reading in the display. The 'HOLD' icon will appear on the upper right-hand side of the display. Press the HOLD button again to return to normal operation (the 'HOLD' hold icon will disappear).

The meter will automatically turn off after 10 minutes if no keys are pressed during this period. Auto power off is disabled in the max/min recording mode.

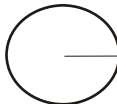
Press the power button to turn power off.



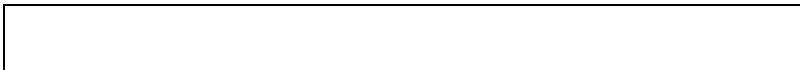
You, as the end user, are legally bound (_____) to return all used batteries, used batteries / accumulators at collection points in your community or wherever batteries / accumulators are sold! You can hand over your

Follow the valid legal stipulations in respect of the disposal of the device at the end of its lifecycle

Useful Equations



2



Specifications

Range Specifications

Measurement	Range	Resolution	Accuracy
MPH (Miles per hour)	0.9 to 67.0MPH	0.1MPH	$\leq 3937 \text{ ft/min: } \pm 3\% \text{ F.S.}$ $> 3937 \text{ ft/min: } \pm 4\% \text{ F.S.}$
km/hr (kilometers per hour)	1.4 to 108.0 km/h	0.1km/h	
Knots (nautical miles per hour)	0.8 to 58.3 knots	0.1knots	
m/sec (meters per second)	0.4 to 30.0 m/s	0.1 m/s	
ft/min (feet per minute)	80 to 5910 ft/min	1ft/min	
Temperature/Thermistor	32 to 122°F (-0 to 50°C)	0.1°F/C	$\pm 2.5^\circ\text{F} (\pm 1.2^\circ\text{C})$
Temperature /Thermocouple	-148 to 2372°F	0.1°F	$\pm (1\% + 2^\circ\text{F})$
	-100 to 1300°C	0.1°C	$\pm (1\% + 1^\circ\text{C})$
Relative Humidity	10.0 to 95.0%	0.1%	$\pm 4\% \text{ RH (from 10\% to 70\%RH)}$ $\pm 4\% \text{rdg} + 1.2\% \text{ RH (> 70\% RH)}$
Light (Auto Ranging)	0 to 2,200 Lux	1 Lux	$\pm 5\% \text{ rdg} + 8 \text{ digits}$
	1,800 to 20,000 Lux	10 Lux	
	0 to 204.0 Fc	0.1 Fc	
	170 to 1,860 Fc	1 Fc	

General Specifications

Display	4 digit (9999 count) Dual Display LCD
Sensors	Thin film capacitance humidity sensor
Min/Max	Min/Max recalls the highest/lowest reading
Data Hold	Data Hold freezes the display
Operating conditions	0 to 50°C (32 to 122°F) / < 80% RH
Power supply	9 Volt Battery
Dimensions / Weight	Instrument: 156 x 60 x 33mm(6.14 x 2.36 x 1.29") Vane: 24mm (1") diameter / 160 g (5.7 oz)

Copyright © 2011 Extech Instruments Corporation (a FLIR company)

All rights reserved including the right of reproduction in whole or in part in any form.

www.extech.com

airconcern

more info for Extech 45170

Phone: 01235 838 555

Email: cs@airconcern.co.uk

Web: www.airconcern.co.uk

Air Concern Ltd, Building 173 Curie Avenue Harvell Didcot, Oxfordshire