

# User's Guide

# **EXTECH**<sup>®</sup>

**INSTRUMENTS**

A FLIR COMPANY

## Pinless Moisture Meter

### Model MO257



## Introduction

---

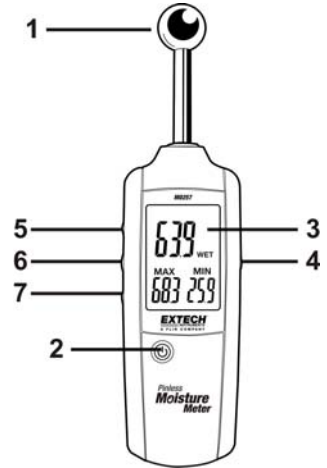
Congratulations on your purchase of the Extech MO257 Pinless Moisture Meter. The pinless moisture sensor monitors the moisture in wood and other building materials without causing surface damage. High frequency sensing technology allows the meter to take non-invasive moisture measurements. User programmable alarms alert the user if moisture measurements exceed alarm set-points. This meter is shipped fully tested and calibrated and, with proper use, will provide years of reliable service.

## Meter Description

---

1. Measurement sensor
2. Power ON-OFF button
3. LCD display
4. Measure (MEAS) button
5. UP and BACKLIGHT button
6. SET button
7. DOWN button

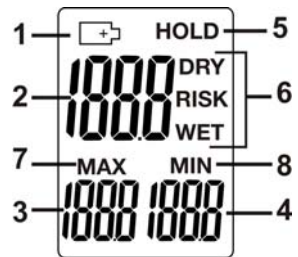
Battery compartment located on rear of unit



## LCD Display

---

1. Low Battery icon
2. Main LCD display
3. MAX reading
4. MIN reading
5. HOLD function
6. Measurement alert
7. MAX mode icon
8. MIN mode icon



## Battery Replacement

---

1. Turn off the meter
2. Remove the Philips head screw located on the rear of the unit
3. Lift off the rear battery cover
4. Replace the three (3) 'AAA' 1.5V batteries
5. Secure the rear battery cover




You, as the end user, are legally bound (**EU Battery ordinance**) to return all used batteries, **disposal in the household garbage is prohibited!** You can hand over your used batteries / accumulators at collection points in your community or wherever batteries / accumulators are sold!

**Disposal:** Follow the valid legal stipulations in respect of the disposal of the device at the end of its lifecycle

# Operation

---

## Pinless Moisture Measurements

1. Press the power  button to turn the meter on.
2. As described below, you must calibrate the meter before first use.
3. To calibrate, press the MEAS button immediately after powering on the meter. The display will audibly beep and visually flash the CAL display icon. Keep the measurement sensor at least 3 to 4" (8 to 10 cm) from any object during calibration.
4. When the calibration is complete the beeping and flashing stop. The calibration reading must not exceed 0.5. If so, re-calibrate ensuring that hands or other objects are kept clear of the

## Auto Power Off

To conserve battery energy, the meter will enter a sleep mode after approx. 30 minutes of inactivity. Press the power button to wake the meter.

## Backlit LCD

Press the up/backlight button to switch the backlighting ON or OFF.

## Specifications

Function	Range	Accuracy
Moisture Range	0.0 to 100.0	Relative only
Measurement Depth	20 to 40mm (0.79 to 1.57")	

Display type	Backlit LCD
Display digits	Three (3) numeric displays; each displaying from 0.0 to 100.0
Display icons	HOLD, DRY, RISK, WET, MIN, MAX and low battery icon
Operating Temperature	4 to 43°C (40 to 110°F)
Operating Humidity	90%, 0-30°C (32-86°F), 75%, 30-40°C (86-104°F), 45%, 40-50°C (104-122°F)
Power Supply	Three (3) 1.5V 'AAA' batteries
Auto Power Off (APO)	After 30 minutes of inactivity
Dimensions	235 x 63 x 28mm (9.2 x 2.5 x 1.1")
Weight	218g (7.7oz)

## Moisture Comparison Table (typical)

Material	Display units	Moisture status
Gypsum	< 30	DRY
	30 - 60	RISK
	> 60	WET
Cement	< 25	DRY
	25 - 50	RISK
	> 50	WET
Wood	< 50	DRY
	50 - 80	RISK
	> 80	WET

# airconcern

more info for Extech MO257

Phone: 01235 838 555

E-mail: [cs@airconcern.co.uk](mailto:cs@airconcern.co.uk)

web: [www.airconcern.co.uk](http://www.airconcern.co.uk)