

If not available follow these instructions:

- Repeat steps 1-3 in the Maintenance section.
- Clean the tray by partially filling the tray with 200ml of undiluted white vinegar. If the element is heavily scaled, plug the humidifier into an electrical socket and turn it ON for no longer than 15 seconds. After this time turn the humidifier OFF and unplug it from the electrical outlet.

Let solution stand 20 minutes, cleaning all interior surfaces with a soft brush. Dampen a cloth with undiluted white vinegar and wipe out entire tray to remove scale.

- Rinse with clean warm water to remove scale and the white vinegar solution before beginning to disinfect the tank.
- Wipe the heating element clean with a soft cloth after it has had a chance to cool.

Disinfect tank:

- Fill tank with 1 teaspoon of bleach and 3.5 litres of water.
- Let the solution stand for 20 minutes, swishing every few minutes. Wet all surfaces.
- Empty the tank after 20 minutes, and rinse well with water until the bleach smell is gone. Dry with some paper towel.
- Refill the water tank with cool water; replace the water tank. Repeat Operating Instructions.

Storage Instructions

If your humidifier will not be in use for two days or more, or at the end of the season follow these instructions.

- Clean, rinse and thoroughly dry the humidifier as directed in the De-scaling Maintenance section. DO NOT leave any water inside the base or tray.
- Remove the reservoir cap. Do not store with the reservoir cap in place.
- Remove and throw away the filter.
- Place the humidifier in the original carton and store in a cool, dry place.
- Clean the humidifier before the next season begins.
- Order a replacement filter to start the next season.

SERVICE INSTRUCTIONS

- Do NOT attempt to repair or adjust any electrical or mechanical functions on this unit. Doing so will void the warranty. The insides of the unit contain no user serviceable parts. Only qualified personnel should perform all servicing.
- Should the unit stop working, first check the fuse in the plug (UK only) or fuse/circuit breaker at the distribution board is operating,

before contacting the manufacturer or service agent.

- If you need to exchange the unit, please return it in its original carton, with a sales receipt, to the store where you purchased it.
- Should your humidifier require service, please contact your local dealer.

ACCESSORIES FOR MODEL BWM5075

- WMF-50 Water Purification Filter.
- We recommend the use of a Bonaire® Hygrometer/Thermometer, model no: BT400, to read the indoor room temperature and humidity level.
- Bonaire® Cleaning Solution.

TECHNICAL SPECIFICATIONS

Input voltage: 220-240 V~ 50 Hz

Power consumption: 400 Watts (max)

The manufacturer reserves the right to change or modify any specifications without notice.

For U.K. and Ireland only:

If the plug is not suitable for the socket outlets in your home, it can be removed and replaced by a plug of the correct type.

Please refer to "Installation of a plug" below.

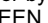
Installation of a plug Applicable to U.K. and Ireland.**WARNING - THIS APPLIANCE MUST BE EARTHED**

The wires in the mains lead are coloured as such:

GREEN AND YELLOW	- EARTH
BROWN	- LIVE
BLUE	- NEUTRAL

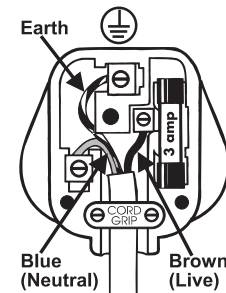
Please note that the colour of these mains wires may not correspond with the colour markings that identify the terminals in your plug.

Please proceed as follows:

The wire which is coloured GREEN AND YELLOW must be connected to the terminal which is marked with the letter 'E' or by the earth symbol  or coloured GREEN or GREEN AND YELLOW.

The BROWN coloured wire must be connected to the terminal, which is marked with the letter "L" or is coloured RED.

The BLUE coloured wire must be connected to the terminal, which is marked with the letter "N" or is coloured BLACK.



NOTE: If the terminals in the plug are not marked or if you are unsure or in doubt about the installation of the plug please contact a qualified electrician.

If a 13A 3-pin plug is fitted, it must be an ASTA approved plug, conforming to BS1363 standard. Replacement 3A fuses must be BSI or ASTA BS1362 approved.

GUARANTEE

PLEASE KEEP YOUR RECEIPT AS THIS WILL BE REQUIRED FOR ANY CLAIMS UNDER THIS GUARANTEE.

- This product is guaranteed for 2 years.
- In the unlikely event of breakdown, please take it back to the place of purchase, with your till receipt and a copy of this guarantee.
- The rights and benefits under this guarantee are additional to your statutory rights which are not affected by this guarantee.

- Holmes Products Europe undertakes within the specific period, to repair or replace free of charge, any part of the appliance found to be defective provided that:

- We are promptly informed of the defect.
- The appliance has not been altered in any way or subjected to misuse or repair by a person other than a person authorised by Holmes Products Europe.

- No rights are given under this guarantee to a person acquiring the appliance second hand or for commercial or communal uses.

- Any repaired or replaced appliance will be guaranteed on these terms for the remaining portion of the guarantee.

THIS PRODUCT IS MANUFACTURED TO COMPLY WITH THE E.E.C. DIRECTIVES 73/23/EEC and 2004/108/EC.

Waste electrical products should not be disposed of with

Household waste. Please recycle where facilities exist. Check on

the following website for further recycling and WEEE information:

www.bonaire.com or e-mail info-europe@jardencs.com



BIONAIRE®

Holmes Products (Europe) Ltd
1 Francis Grove
London SW19 4DT
England

Fax: +44 (0)20 8947 8272

Email: info-europe@jardencs.com

Website address: www.bonaire.com

UK - Free phone Customer Service Helpline - 0800 052 3615



© 2007 Sunbeam Products, Inc. doing business as Jarden Consumer Solutions.

All Rights Reserved.

9100030004382
BWM5075/5075CIUK07EM1

BIONAIRE®

Warm Mist
Humidifier
BWM5075
BWM5075C



INSTRUCTION MANUAL

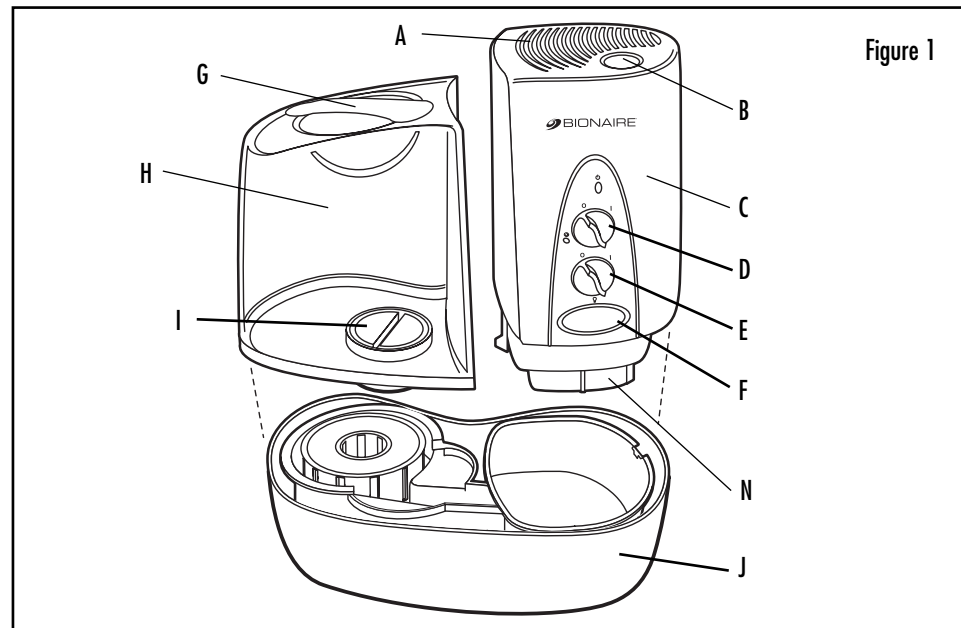
BWM5075

Figure 1

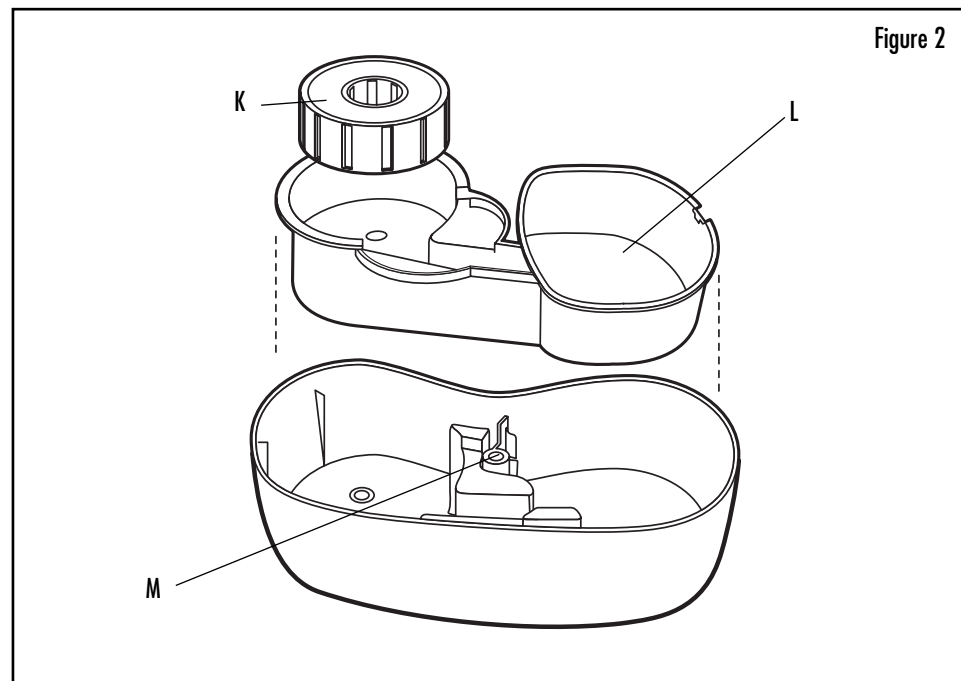


Figure 2

U.K. and IRELAND**Congratulations**

By choosing a Bonaire® humidifier, you have chosen one of the finest humidifiers on the market today!

PLEASE READ AND SAVE THESE IMPORTANT INSTRUCTIONS

NOTE: Before reading these instructions, please review the corresponding illustrations.

Descriptions (See Figure 1/2)

- A. Mist Chamber
- B. Medicine Cup
- C. Humidifier Housing
- D. Power Dial
- E. Night Light Control
- F. Night Light
- G. Tank Handle
- H. Tank
- I. Tank Cap
- J. Humidifier Base
- K. Water Purification Filter
- L. Water Tray
- M. Safety Lock
- N. Heating Element

SAFETY PRECAUTIONS

When using electrical appliances, basic safety precautions should always be followed to reduce the risk of fire, electric shock, and injury to persons, including the following:

1. Read all instructions before using the appliance.
2. To avoid fire or shock hazard, plug the appliance directly into an electrical outlet and fully insert the plug.
3. Keep the cord out of heavy traffic areas. To avoid fire hazard, NEVER put the cord under rugs, or near radiators, stoves, or heaters.
4. DO NOT place humidifier near heat sources such as stoves, radiators, and heaters. Do locate your humidifier on an inside wall near an electrical outlet. The humidifier should be at least 10cm/4" away from the wall for best results.
5. **WARNING:** This humidifier produces hot steam and therefore should not be placed in an area where it is accessible to children. Never use a humidifier in a closed room. (i.e.: doors and windows closed) as it may result in excessive humidity.
6. **WARNING:** Do not attempt to refill humidifier without first unplugging the unit

from it's electrical outlet. Be sure to pull by the plug and not the cord.

7. NEVER drop or insert any object into any openings. DO NOT place hands, face, or body directly over or near Moisture Outlet while unit is in operation. DO NOT cover Moisture Outlet or place anything over it while the unit is operating.
8. DO NOT operate any appliance with a damaged cord or plug, after the appliance malfunctions, or if it has been dropped or damaged in any manner. Return appliance to manufacturer for examination, electrical or mechanical adjustment, or repair.
9. Use appliance only for intended household use as described in this manual. Any other use not recommended by the manufacturer may cause fire, electric shock, or injury to persons. The use of attachments not recommended or sold by the manufacturer, may cause hazards.
10. DO NOT use outdoors.
11. Always place humidifier on a firm, flat, level surface. A waterproof mat or pad is recommended for under the humidifier. NEVER place it on a surface that may become damaged by exposure to water and moisture (i.e. finished floor).
12. DO NOT allow the Moisture Outlet to directly face the wall. Moisture could cause damage, particularly to wallpaper.
13. Humidifier should be unplugged when not in use.
14. NEVER tilt, move, or attempt to empty unit while it is operating. Shut off and unplug before removing the water tank and moving the unit. DO NOT attempt to remove the water tank within 15 minutes after the humidifier is turned off and unplugged. Serious injury may result.
15. This humidifier requires regular maintenance to operate appropriately. Refer to cleaning and maintenance procedures.
16. NEVER use detergents, petrol, glass cleaner, furniture polish, paint thinner, or other household solvents to clean any part of the humidifier.
17. Excessive humidity in a room can cause water condensation on windows and some furniture. If this happens, turn the humidifier OFF
18. Do not use humidifier in an area where humidity level is in excess of 55%.
19. DO NOT attempt to repair or adjust any electrical or mechanical functions on this unit. The inside of the unit contains no user serviceable parts. All servicing should be performed by qualified personnel only.

20. If the supply cord is damaged, it must be replaced by the manufacturer or its service agent or a similarly qualified person.

PLEASE SAVE THESE INSTRUCTIONS

Please note that this is an electrical appliance, and requires attention when in use.

How Your Warm Mist Humidifier Works

Your Bonaire® Warm Mist Humidifier is designed to allow the proper amount of water to flow out of the tank and through the water purification filter. The filter takes most of the minerals and sediment out of the water before the water enters the heating chamber where the Electronic Thermal Control heating element warms the water. Air is drawn in through the grill openings located in the back of the unit and mixed with steam in the misting chamber. The warm mist is then dispersed out of the top of the misting chamber through the outlet grill and into the room.

NOTE: A humidity level below 30% can be unhealthy and uncomfortable. The recommended humidity level is between 45%-55%.

PRE-OPERATING INSTRUCTIONS

1. Be sure the humidifier is disconnected from the electrical outlet and the power dial is in the 0 - off position.
2. Select a location for your humidifier, on a flat surface, about 10cm away from the wall. Do not place your humidifier on furniture. A floor location that will not be damaged by moisture is best.
3. Remove the water tank (see Figure 1). Remove the Water Purification Filter (In some circumstances the filter may be contained within a bag. Please remove the bag.). Soak thoroughly by immersing filter in water for 5 minutes. Then replace in the water tray and wait 15 minutes for water to pass through the filter before turning on the unit.
4. Make sure the water tray is free of foreign objects by removing the Mist Chamber. To remove this stack you must move the Safety Lock (M) that secures both parts in place. (Replace the Mist Chamber over the heating element and make sure that the Safety Lock dial is in the "Lock" position).

Filling the Water Tank

NOTE: This humidifier holds about 5.5 litres of water in the tank and humidifier base. The humidifier will produce up to 11.5 litres of moisture over a 24-hour period.

1. Be sure the humidifier is disconnected from the electrical outlet and the power dial is in the 0 - off position. Remove the water tank.

2. Twist off the tank cap located on the bottom of the reservoir by turning counter clockwise and fill the water tank with cool, fresh water. Do not fill with warm water as this may cause leaking.

NOTE: If the filter or water tray are dry, wait 15 minutes before turning on the unit. The 15 minute wait is necessary to ensure that the filter is properly saturated and the water is at its optimal level for best performance.

3. After filling the tank, replace the tank cap by firmly turning clockwise and then replace the water tank on the base. The tank will immediately begin to empty into the base.
4. Plug the power cord into a convenient and suitable power supply.

OPERATING INSTRUCTIONS (See Figure 2)**IMPORTANT**

1. Fill the water tank (see "Filling the Water Tank" instructions).
2. When using the water purification filter in the humidifier for the first time or when the unit has sat dry for any length of time, pre-soak the Water Purification Filter thoroughly by immersing filter in water for 5 minutes. Then replace in the water tray and wait 15 minutes before turning on the unit for the first time. The 15 minute wait is necessary to ensure that the filter is properly saturated and the water is at its optimal level for best performance. Then, carefully lift the water tank and check if the water tray (L) is 2/3 full of water. If not, replace the water tank and wait a further 5 minutes until the water reaches the desired level. DO NOT switch on the humidifier until the water tray is 2/3 full of water.
3. Turn the power dial to the I position. It is normal for the humidifier to take about 3-5 minutes to warm up and begin to mist.
4. The Medicine Cup (B) is located on the top of the Mist Chamber (A). To use, pour designated humidifier medication into the groove. DO NOT add medication to the water tank. DO NOT add medication to the medicine cup when the unit is already operating.

Nightlight

1. To activate nightlight(☽), move the dial to the on (I) position.
2. To maximize bulb life, turn the nightlight (☽) off (O) during the day.

RESET PROCEDURE

NOTE: When the water tank is empty and the water in the Heating Chamber is almost empty, the re-fill light (red) will illuminate and the Automatic Shut-off will activate. The unit will not operate again until you refill the water tank and reset the humidifier.

1. Turn the power dial to the O - off position.
2. Unplug the unit.
3. Remove and refill the water tank. Replace the tank onto the base.
4. Wait 15 minutes for the Automatic Shut-Off to reset.
5. After 15 minutes, plug in the unit and turn the Mode Knob to High. The refill light should now be off (if not repeat steps 1 through 4). In about 3-5 minutes, the humidifier will begin to produce moisture.
6. If the refill light remains lit, unplug the humidifier and wait a further 15 minutes.

IMPORTANT:

If you do not plan to use the humidifier for two or more days, make sure any residual water is drained from the water tank and base to prevent algae or bacteria growth.

Replacing the Water Purification Filter

The water purification filter is used to retain minerals in your water and provide a clean moisture output. The filter life is determined by the average daily use of your humidifier and the water hardness in your area. Areas with hard water will require more frequent replacement of the filter. It is strongly recommended that the filter be replaced at least every 2-3 months (depending on use) or when the heating element is starting to gather minerals on it.

To Replace the Filter:

1. Switch the humidifier to 0 - off and unplug. Remove the tank, drain any water from the base, lift out the used filter, and throw it away.
2. Remove the protective bag from the new filter and pre-soak the Water Purification Filter thoroughly by immersing filter in water for 5 minutes. Then replace in the water tray and wait 15 minutes for water to pass through the filter before turning on the unit.

Cleaning and Maintenance Instruction

The following maintenance procedures must be routinely followed in order to ensure proper, efficient operation of your humidifier. The unit WILL FAIL if it is not cleaned properly. Regular cleaning prevents scale build-up on the heating element and tray. It also prevents micro-organisms from growing on the tray and tank. This ensures that maximum efficiency will be achieved.

We cannot over-emphasize how essential proper cleaning is to the maintenance and continued use of your unit and the avoidance of algae or bacteria build-up.

Regular Maintenance

The frequency of maintenance will depend on the average daily use of your humidifier and the water hardness of your area. It is recommended that this procedure is carried out weekly or more regularly if necessary.

1. Before cleaning, set the control to 0 - off position and unplug the unit from the electrical outlet.
2. Remove the water tank then unlock the misting chamber by rotating the safety lock. Lift mist chamber from the unit's base. Now lift the tray from the base.
3. Empty water and minerals from the tray and wash it through to remove any sediment and dirt that has accumulated in the tray.

NOTE: It is imperative that the tray is cleaned properly. The tray is dishwasher safe for easy cleaning (Top rack of the dishwasher only).

4. Rinse out the tank out and refill with clean cool water.
5. Wipe the heating element clean with a soft cloth after it has had a chance to cool.

WARNING: If the misting chamber is left assembled to the humidifier, it may take up to an hour before the heating element is sufficiently cool to be touched.

This humidifier heats the water producing a clean moisture. Some of the impurities from the water are collected in the Heating Chamber. The Electronic Thermal Control Heating element is lined with a Teflon coating that is designed to provide the easiest cleaning to prolong the operating efficiency of the humidifier. DO NOT use any metal or hard objects to clean the Heating Element. The coating can be scratched if cleaned improperly.

Never use detergents, gasoline, kerosene, glass cleaner, furniture polish, paint thinner or other household solvents to clean any part of the humidifier.

- **De-scaling Maintenance**
- Scale needs to be removed as it becomes noticeable. We recommend using Bonaire® Clean Away - Humidifier cleaning solution.
- Apply Solution with a plastic brush to scale surfaces. Let it soak until residue is softened. For cleaning the tank, mix 2 capsules of solution with 2 litres of water. Let mixture stand for several minutes, swishing every few minutes. Drain solution and THOROUGHLY RINSE the tank.